

# FAYETTE ELECTRIC COOPERATIVE

(979) 968-3181

1-800-874-8290

## TRANSFORMER POLE METER LOOP SPECIFICATIONS

**NOTE:**

1. **Members are responsible for supplying and installing entire assembled meter loop.** Fayette Electric is to be notified when loop is ready for inspection.
2. Meter loop **must pass inspection** before service is connected.
3. Only meter loop with underground feeders will be allowed on transformer Pole. **“NO”** overhead feeders, lights, antennas, satellite dishes, etc. are allowed on transformer pole.

**TYPES OF POLES USED**

WOOD  
STEEL  
CONCRETE

**TRANS. POLE SIZE      CONDUIT LENGTH**

35 FT	14 FT
40 FT	17 FT
45 FT	24 FT

**WIRE SIZE      BREAKER SIZE      CONDUIT SIZE**

#6 CU	60 Amp	1 inch
#4 CU	100 Amp	1 ¼ inch
#2 CU	125 Amp	1 ¼ inch
# 1/0 CU	150 Amp	2 inch
# 2/0 CU	200 Amp	2 inch
Call office	<b>Over 200 Amp</b>	Call office

**WEATHERHEAD**

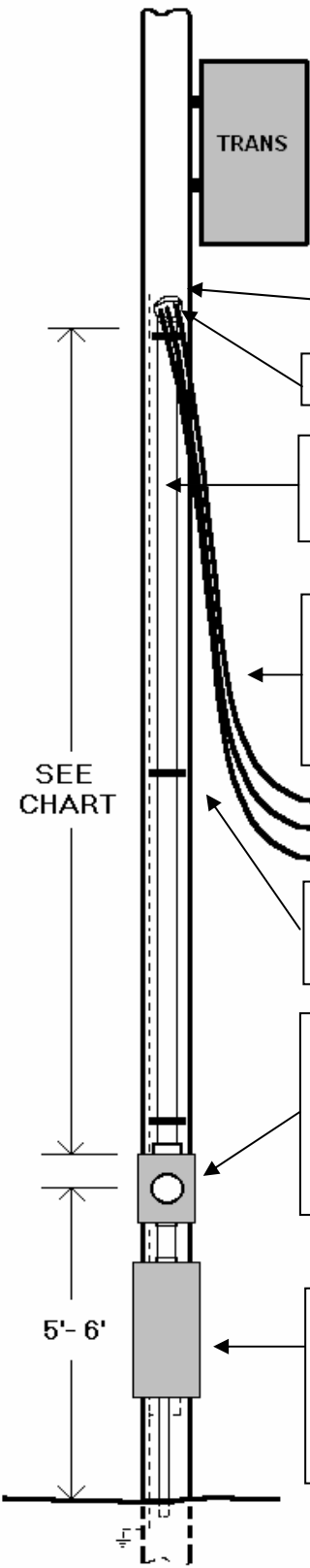
**METAL THREADED CONDUIT**  
1. MUST BE RIGID OR IMC.

**CONDUCTOR TAILS**  
1. MUST BE AT LEAST **8 FT** LONG.  
2. NEUTRAL CONDUCTOR SHOULD BE IDENTIFIED.

**CONDUIT STRAPS**  
1. **THREE STRAPS** ARE REQUIRED.

**METER SOCKET**  
1. THREADED HUB ON TOP.  
2. LOCKNUT AND FIBER-BUSHING INSIDE METER SOCKET ON NIPPLE.  
3. NIPPLE WITH LOCKNUT UNDER METER SOCKET.  
4. MOUNT SOCKET BETWEEN **5 TO 6 FT.** FROM GROUND LEVEL.

**WEATHER-PROOF MAIN DISCONNECT**  
1. MOUNTED DIRECTLY UNDER METER SOCKET WITH HUB ON TOP.  
2. **SINGLE MAIN BREAKER OR 6 HANDLE MAIN** AS DEFINED IN NEC.  
3. **#6 SOLID BARE COPPER WIRE** FROM DISCONNECT IS TO BE ATTACHED TO COOPERATIVE'S POLE GROUND WITH CLAMP.



SEE CHART

5'- 6'